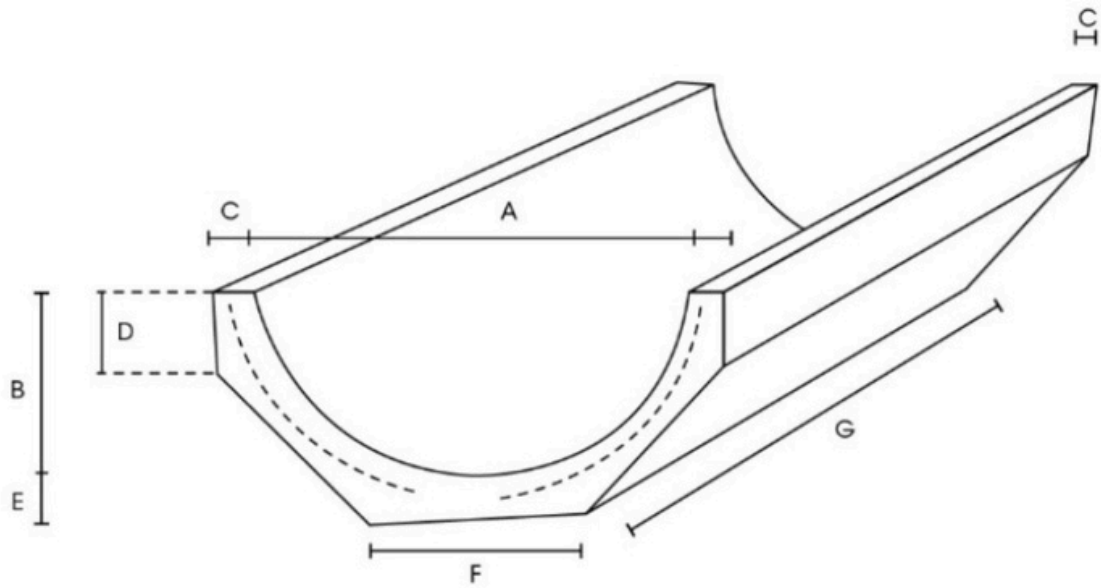
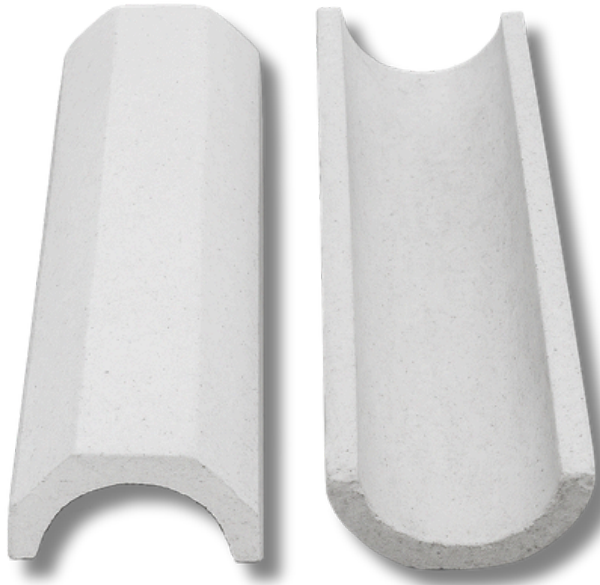


HALF ROUND DRAIN



STANDARD DIMENSION

	Normal Size (mm)	A	B	C	D	E	F	G	kg
6"	150 x 750	150	137.5	25	50	25	87.5	750	12.5
9"	225 x 750	225	150	25	62.5	25	115	750	20
12"	300 x 600	300	175	35	80	35	125	600	26.5



**The above measurements are based on standard measuring methods. Actual sizes may vary slightly.
Our company reserves the right to modify the above sizes without prior notice.

